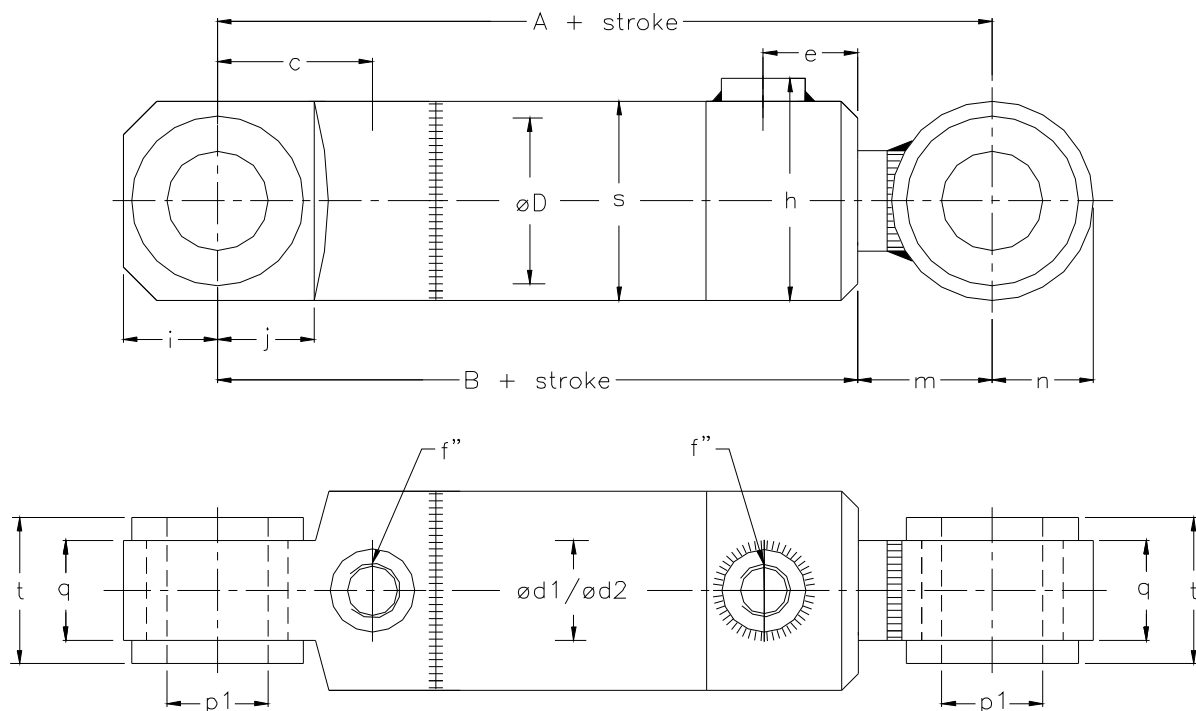


## AQ70 NN cylinders



Dimension table

øD	25	32	40	50	63	80
ød1/ød2	12	16	25	30	40	50
A	140	170	185	217	245	285
B	105	139	152	177	200	233
c	20	24	29	28	38	50
e	26	29	30	33	39	39
f''	1/8"	1/4"	1/4"	3/8"	3/8"	1/2"
h	40	53	58	68	75	100
i	12	18	25	28	35	40
j	13	18	23	32	35	38
m	35	31	33	40	45	52
n	14	19	25	30	35	45
p1	10	15	20	30	30	35
q	15	20	25	30	35	45
s	30	40	50	60	75	95
t	15	20	35	44	50	60

How to order:



AQ70 NN x1 / x2 \* x3

x1: Inside diameter : 50 mm  
 x2: Piston rod : 30 mm  
 x3: Stroke : 200 mm

Ordering code: AQ70 NN 50/30\*200

Eksempel på ordre:



AQ70 NN x1 / x2 \* x3

x1: Indvendig diameter : 50 mm  
 x2: Stempelstang : 30 mm  
 x3: Slaglængde : 200 mm

Ordre kode: AQ70 NN 50/30\*200